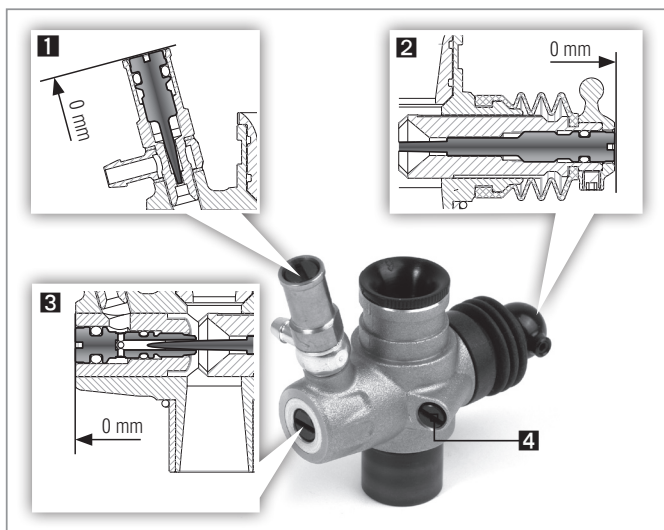


**CARBURETOR SETTINGS**

**Factory carburetor setting for break-in procedure**

The carburetor comes preset from factory and you have to start the break-in procedure with the following setting:

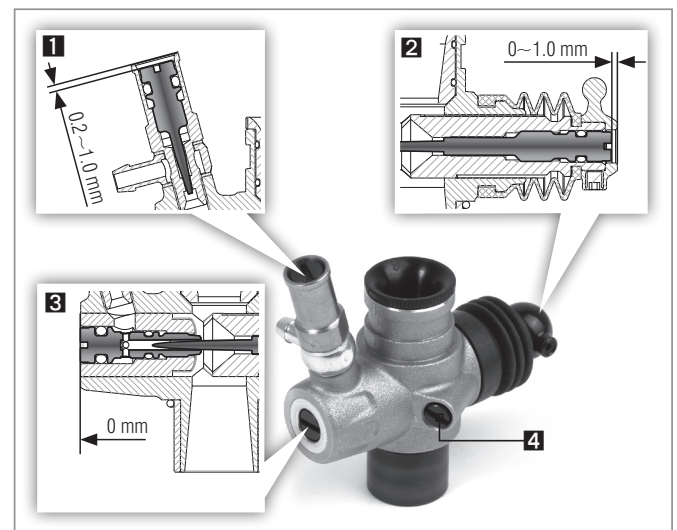
<b>1</b> Main High-speed Needle (Upper)	0 mm inside the needle body
<b>2</b> Low-end Needle (Front)	0 mm inside the needle body
<b>3</b> Mixture Control Needle (Rear)	0 mm of the needle body
<b>4</b> Idle Adjustment Screw	Preset from factory



**Basic Carburetor Setting after break-in procedure**

After you have finished the break-in procedure this is the basic carburetor setting. Any time you get lost return back to this basic setting.

<b>1</b> Main High-speed Needle (Upper)	0.2~1.0 mm inside the needle body
<b>2</b> Low-end Needle (Front)	0~1.0 mm inside the needle body
<b>3</b> Mixture Control Needle (Rear)	0 mm of the needle body
<b>4</b> Idle Adjustment Screw	Depends on idle RPM



# SPARE PART LIST

# #650301 FX K5 DC

NUMBER	PRODUCT DESCRIPTION	
650001	FX K5 DC - COMBO: ENGINE + MUFFLER 2108 + #659704 MANIFOLD M	
650301	FX K5 DC - 5 PORTS, DLC, CERAMIC BEARING	

## MUFFLERS

659501	MUFFLER 3.5ccm EFRA 2100	
659502	MUFFLER 3.5ccm EFRA 2108	

## MANIFOLDS

659700	MANIFOLD 3.5ccm - SMALL RADIUS - SHORT	
659701	MANIFOLD 3.5ccm - SMALL RADIUS - MEDIUM	
659702	MANIFOLD 3.5ccm - SMALL RADIUS - LONG	

659703	MANIFOLD 3.5ccm - SHORT	
659704	MANIFOLD 3.5ccm - MEDIUM	
659705	MANIFOLD 3.5ccm - LONG	

## GLOW PLUGS

655803	GLOW PLUG - X3 (12)	x
655804	GLOW PLUG - X4 (12)	o
655806	GLOW PLUG - X6 (12)	
655807	GLOW PLUG - X7 (12)	
655808	GLOW PLUG - X8 (12)	

## SPARE PARTS

651103	CRANKCASE	x
651711	BACK PLATE	x
651800	EXHAUST SEAL RING (4)	x
651900	ALU CLAMP - SET	x
652102	CRANKSHAFT WITH SILICONE - DIAMOND COATING	x
653300	SLEEVE + PISTON - SET	x
654100	CONROD	x
654900	WRIST PIN	x
655004	ENGINE HEAD-10 RIBS - FOR SEALED COMBUSTION CHAMBER	x
655602	COMBUSTION CHAMBER SEALED	x
655922	ENGINE HEAD SHIM 16.4x22.8x0.2 (4)	x
655923	ENGINE HEAD SHIM 16.4x22.8x0.3 (4)	x
656004	CARBURETOR ADJUSTABLE WITH LONGER LOW-END NEEDLE - SET	x
656103	ADJUSTABLE CARBURETOR BODY	x
656602	CARBURETOR MIXTURE CONTROL NEEDLE + O-RING	x
656800	CARBURETOR ISOLATOR	x
656901	CARBURETOR IDLE ADJUSTMENT SCREW + O-RING	x
657002	CARBURETOR SLIDE	x
657203	CARBURETOR LOW-END NEEDLE LONGER + O-RING	x
657400	CARBURETOR BALL LINKAGE	x
657801	CARBURETOR SLIDE BOOT - 4-RIBS	x
658101	CARBURETOR MAIN HIGH-SPEED NEEDLE BODY	x
658202	CARBURETOR FUEL INLET NIPPLE	x
658301	CARBURETOR MAIN HIGH-SPEED NEEDLE + O-RING	x
658402	ALU SHIM 5x8x0.5MM (2)	x
658700	DUST CAP PROTECTOR - SET	x
658900	COMPOSITE CARBURETOR VENTURI - SET	o
658950	COMPOSITE CARBURETOR VENTURI - 5.0MM	o
658955	COMPOSITE CARBURETOR VENTURI - 5.5MM	o
658960	COMPOSITE CARBURETOR VENTURI - 6.0MM	o
658965	COMPOSITE CARBURETOR VENTURI - 6.5MM	o
658970	COMPOSITE CARBURETOR VENTURI - 7.0MM	x
658975	COMPOSITE CARBURETOR VENTURI - 7.5MM	o
658980	COMPOSITE CARBURETOR VENTURI - 8.0MM	o
658985	COMPOSITE CARBURETOR VENTURI - 8.5MM	o
659910	SPRING FOR MANIFOLD (2)	
659930	SPRING FOR MUFFLER (3)	

## PROMO

694000	FX ENGINE BAG	
--------	---------------	--

NUMBER	PRODUCT DESCRIPTION	
695010S	FX T-SHIRT RED (S)	
695010M	FX T-SHIRT RED (M)	
695010L	FX T-SHIRT RED (L)	
695010XL	FX T-SHIRT RED (XL)	
695010XXL	FX T-SHIRT RED (XXL)	
696901M	FX FLEXFIT CAP (M)	
696901L	FX FLEXFIT CAP (L)	
696902M	FX HIP-HOP CAP (L)	
696902L	FX HIP-HOP CAP (M)	
696910	FX WINTER CAP - RED	
697000	FX TENT	
697100	FX OUTDOOR FABRIC BANNER 2000x1000MM - RED	
697210	FX PAPER BAG	
697280	FX TAPE	
697310	FX STICKER	
697400	FX LARGE FLAG VERTICAL 4M	

## HARDWARE

699101	HEX SCREW SB M3x3 (4)	x
699201	HEX SCREW SOCKET HEAD CAP M2.5x8 (4)	x
699202	HEX SCREW SOCKET HEAD CAP M2.5x16 (4)	x
699203	HEX SCREW SOCKET HEAD CAP M3x16 (4)	x
699301	WRIST PIN CLIP (4)	x
699401	O-RING 2.0x1.3 (4)	x
699402	O-RING 2.5x1.5 (4)	x
699403	O-RING 3.0x1.8 (4)	x
699404	O-RING 3.3x1.0 (4)	x
699405	O-RING 10x1.0 (4)	x
699406	O-RING 12x1.2 (4)	x
699407	O-RING 15x1.5 (4)	x
699408	O-RING 19.5x1.8 (4)	x
699409	O-RING 31.5x2.6 (4)	x
699501	SLEEVE PIN 1x6 (4)	x
699601	BALL-BEARING 7x19x6	o
699602	BALL-BEARING 14x25.8x6	o
699603	CERAMIC BALL-BEARING 7x19x6	o
699604	CERAMIC BALL-BEARING 14x25.8x6	o
699606	CERAMIC BALL-BEARING 14x25.8x6 - GERMANY	x
699607	BALL-BEARING 7x19x6 - JAPAN	x

## HUDY OPTION PARTS

104140	HUDY ENGINE BREAK-IN BENCH	
104200	HUDY FUEL BOTTLE WITH ALUMINUM NECK	
104500	HUDY STAR-BOX TRUGGY & OFF-ROAD 1/8	
106240	HUDY AIR FILTER OIL	
106250	HUDY ENGINE AFTER RUN OIL	
107030	UNIVERSAL FLYWHEEL PULLER	
107051	HUDY ULTIMATE ENGINE TOOL KIT FOR .21 ENGINE	
107581	WRENCH-GLOWPLUG / CLUTCHNUT 10 MM - LONG	
107610	EXHAUST SPRING / CASTER CLIP REMOVER - V2	
107840	CLEANING BRUSH LARGE - SOFT	
107841	CLEANING BRUSH LARGE - MEDIUM	
107842	CLEANING BRUSH LARGE - STIFF	
107846	CLEANING BRUSH SMALL - SOFT	
107847	CLEANING BRUSH SMALL - MEDIUM	
107848	CLEANING BRUSH SMALL - STIFF	
112045	LIMITED EDITION - ALLEN WRENCH 2.0 MM	
112545	LIMITED EDITION - ALLEN WRENCH 2.5 MM	
155055	LIMITED EDITION - SLOTTED SCREWDRIVER 5.0 MM - LONG	
155805	LIMITED EDITION - SLOTTED SCREWDRIVER - FOR ENGINE HEAD	
181090	HUDY SPECIAL TOOL FOR TURNBUCKLES & NUTS	
182010	HUDY FLYWHEEL/CLUTCH MULTI-TOOL	
182015	HUDY 1/8 OFF-ROAD FLYWHEEL/WHEEL NUT MULTI-TOOL	

ver. 15.01 © FX